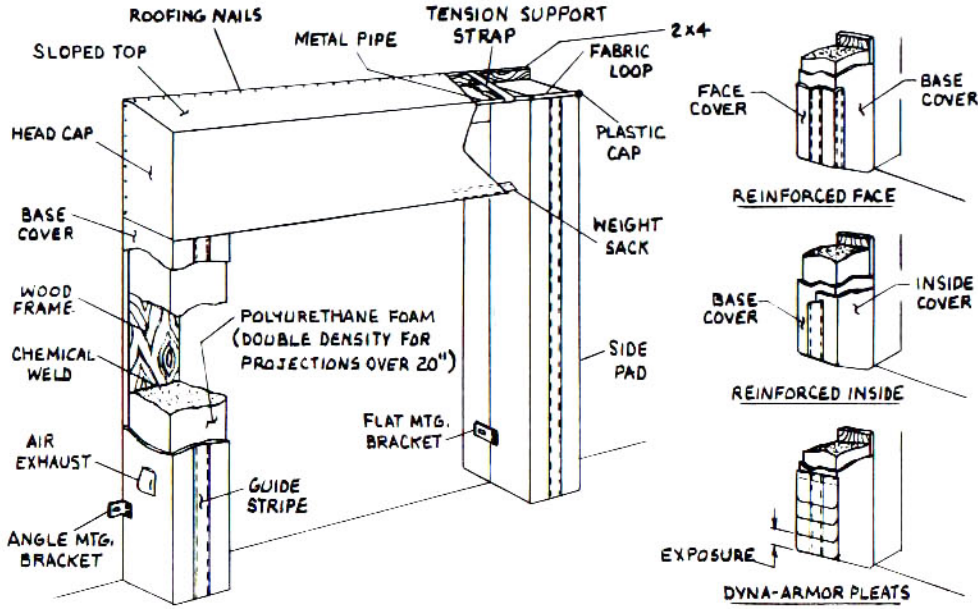
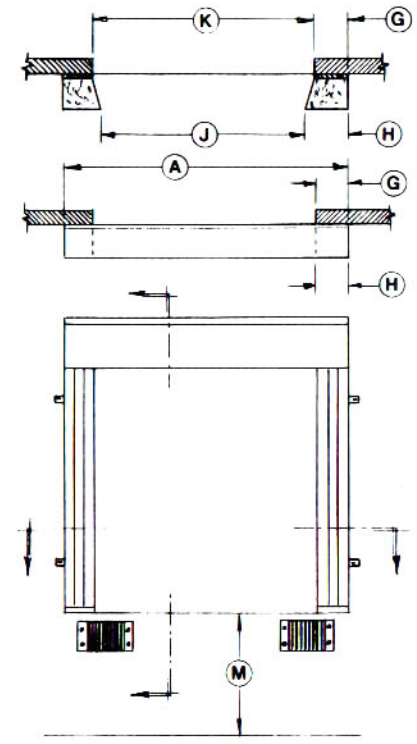


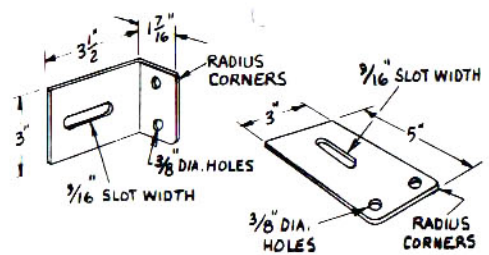
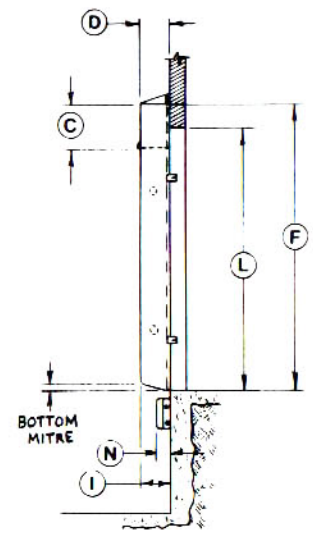
# SERIES-1400 HEAD CAP TYPE DOCK SEAL



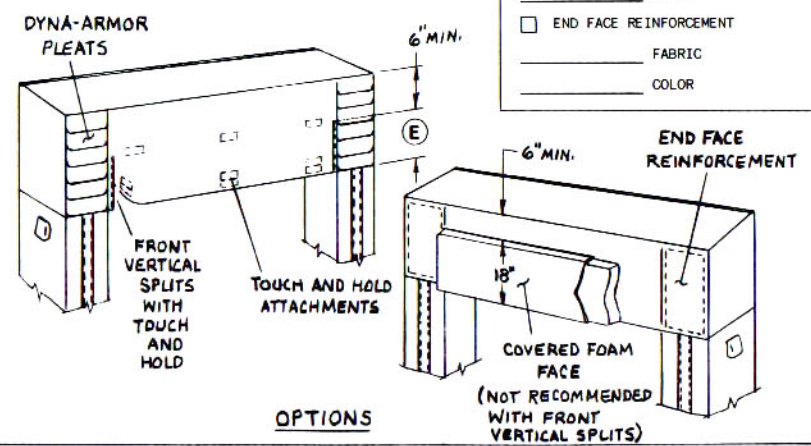
4" EXPOSURE  
8" EXPOSURE  
16" EXPOSURE



BEVELED SIDE PADS



ANGLE AND FLAT MOUNTING BRACKETS



OPTIONS

**HEAD CAP DATA**

\_\_\_\_\_ "A" WIDTH  
 \_\_\_\_\_ "C" HEIGHT @ FACE  
 \_\_\_\_\_ "D" TOTAL PROJECTION  
 \_\_\_\_\_ BASE FABRIC  
 \_\_\_\_\_ COLOR  
 END FACE REINFORCEMENT  
 \_\_\_\_\_ FABRIC  
 \_\_\_\_\_ COLOR

DYN-A-ARMOR ENDS  
 \_\_\_\_\_ FABRIC  
 \_\_\_\_\_ COLOR  
 \_\_\_\_\_ "E" PLEAT EXPOSURE  
 FRONT VERTICAL SPLITS  
 \_\_\_\_\_ "E" SPLIT HEIGHT  
 (C-6" = MAX. SPLIT)  
 TOUCH & HOLD ATTACHMENT  
 ROPE/PULLEY SYSTEM  
 COVERED FOAM FACE  
 4" THICK x 18" HIGH x  
 "J" SIDE PAD FACE I.D.

**SIDE PAD DATA**


\_\_\_\_\_ "F" LENGTH @ REAR  
 \_\_\_\_\_ "G" WIDTH @ REAR  
 \_\_\_\_\_ "H" WIDTH @ FACE  
 \_\_\_\_\_ "D" TOTAL PROJ. @ TOP  
 \_\_\_\_\_ "I" TOTAL PROJ. @ BOTTOM  
 \_\_\_\_\_ "J" SIDE PAD FACE I.D.

\_\_\_\_\_ BASE FABRIC  
 \_\_\_\_\_ COLOR  
 BLOCKOUT (If Required)  
 PROJ: \_\_\_\_\_ TOP \_\_\_\_\_ BOTTOM  
 \_\_\_\_\_ FABRIC \_\_\_\_\_ COLOR  
 FACE REINFORCEMENT  
 \_\_\_\_\_ FABRIC  
 \_\_\_\_\_ COLOR  
 INSIDE EDGE REINFORCEMENT  
 \_\_\_\_\_ FABRIC  
 \_\_\_\_\_ COLOR  
 DYN-A-ARMOR PLEATS  
 \_\_\_\_\_ FABRIC  
 \_\_\_\_\_ COLOR  
 \_\_\_\_\_ "E" PLEAT EXPOSURE  
 FORMED STEEL BACK  
 PAINTED  GALVANIZED  
 NON ROT BACK

**GENERAL INFORMATION**

\_\_\_\_\_ "K" DOOR WIDTH  
 \_\_\_\_\_ "L" DOOR HEIGHT  
 \_\_\_\_\_ "M" DOCK HEIGHT  
 \_\_\_\_\_ "N" DOCK BUMPER/LEDGE  
 COMBINED PROJECTION  
 DRIVE APPROACH:  LEVEL  
 DECLINED  
 INCLINED

FB- \_\_\_\_\_ QUANTITY \_\_\_\_\_ SHEET \_\_\_\_\_ OF \_\_\_\_\_



JOB \_\_\_\_\_  
 LOCATION \_\_\_\_\_  
 CONTRACTOR \_\_\_\_\_  
 ARCHITECT \_\_\_\_\_  
 APPROVED BY \_\_\_\_\_  
 Signature \_\_\_\_\_