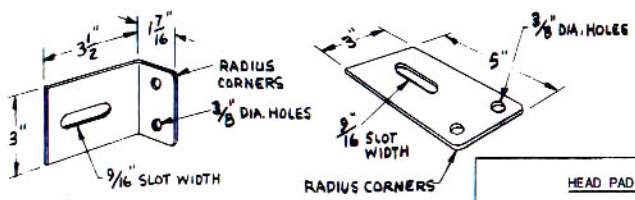
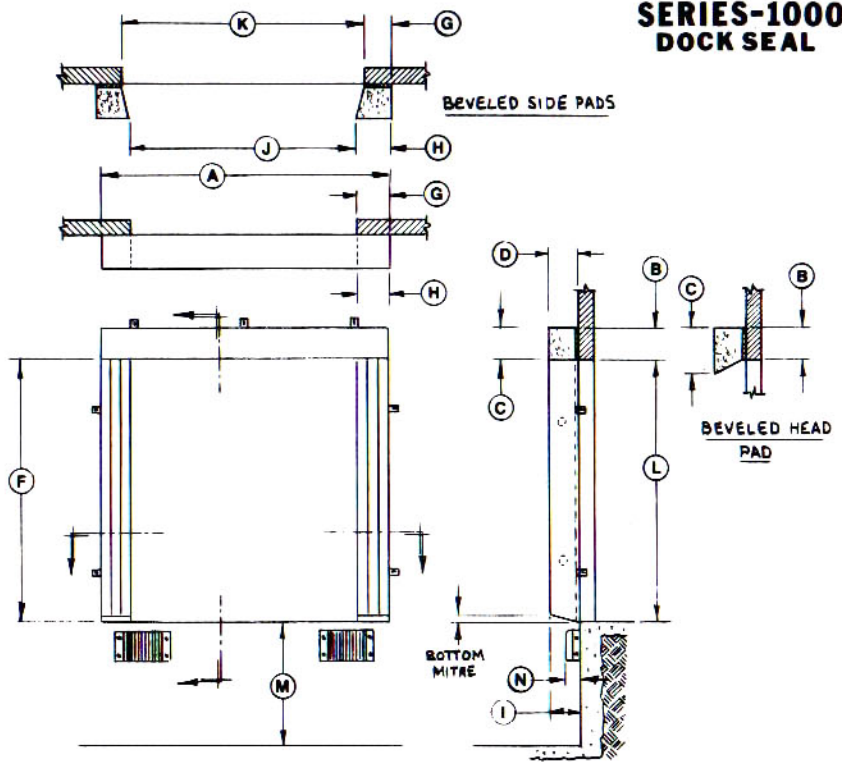
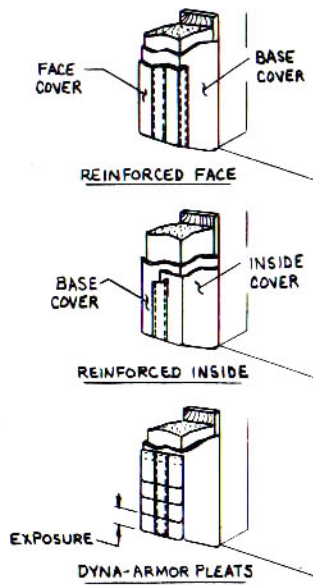
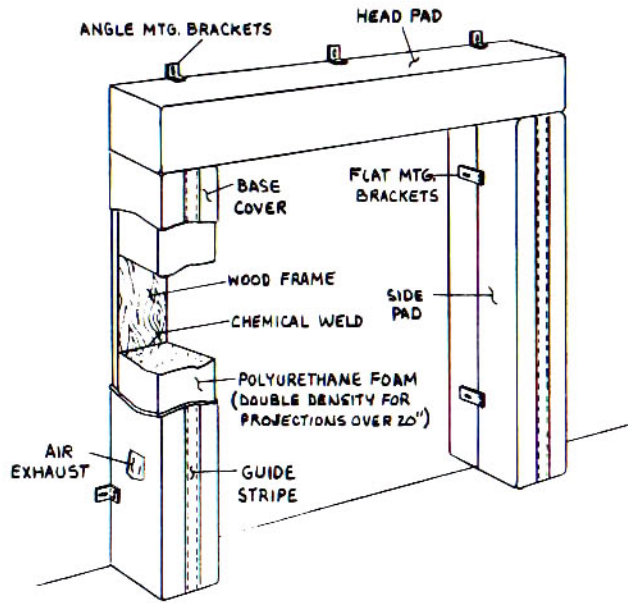
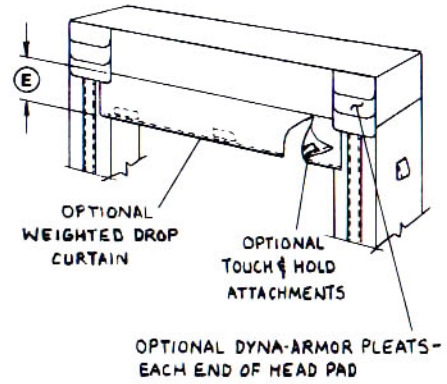


# SERIES-1000 DOCK SEAL



4" EXPOSURE  
8" EXPOSURE  
16" EXPOSURE



**HEAD PAD DATA**

MOUNTING:  OVER SIDE PADS  
 BETWEEN SIDE PADS

"A" WIDTH @ REAR \_\_\_\_\_  
 "B" HEIGHT @ REAR \_\_\_\_\_  
 "C" HEIGHT @ FACE \_\_\_\_\_  
 "D" TOTAL PROJECTION \_\_\_\_\_

BASE FABRIC \_\_\_\_\_  
 COLOR \_\_\_\_\_

BLOCKOUT (If Required)  
 PROJ: \_\_\_\_\_  
 FABRIC \_\_\_\_\_ COLOR \_\_\_\_\_

FACE REINFORCEMENT  
 \_\_\_\_\_ FABRIC  
 \_\_\_\_\_ COLOR

UNDERSIDE REINFORCEMENT  
 \_\_\_\_\_ FABRIC  
 \_\_\_\_\_ COLOR

DYNA-ARMOR ENDS

\_\_\_\_\_ FABRIC  
 \_\_\_\_\_ COLOR  
 \_\_\_\_\_ PLEAT EXPOSURE

FORMED STEEL BACK  
 PAINTED  GALVANIZED

NON ROT BACK

WEIGHTED DROP CURTAIN  
 \_\_\_\_\_ "E" HEIGHT  
 \_\_\_\_\_ FABRIC  
 \_\_\_\_\_ COLOR

TOUCH & HOLD ATTACHMENT  
 ROPE/PULLEY SYSTEM

**SIDE PAD DATA**

\_\_\_\_\_ "F" LENGTH @ REAR  
 \_\_\_\_\_ "G" WIDTH @ REAR  
 \_\_\_\_\_ "H" WIDTH @ FACE  
 \_\_\_\_\_ "D" TOTAL PROJ. @ TOP  
 \_\_\_\_\_ "I" TOTAL PROJ. @ BOTTOM

\_\_\_\_\_ "J" SIDE PAD FACE I.D.  
 \_\_\_\_\_ BASE FABRIC  
 \_\_\_\_\_ COLOR

BLOCKOUT (If Required)  
 PROJ: \_\_\_\_\_ TOP \_\_\_\_\_ BOTTOM  
 \_\_\_\_\_ FABRIC \_\_\_\_\_ COLOR

FACE REINFORCEMENT  
 \_\_\_\_\_ FABRIC  
 \_\_\_\_\_ COLOR

INSIDE EDGE REINFORCEMENT  
 \_\_\_\_\_ FABRIC  
 \_\_\_\_\_ COLOR

DYNA-ARMOR PLEATS  
 \_\_\_\_\_ FABRIC  
 \_\_\_\_\_ COLOR  
 \_\_\_\_\_ PLEAT EXPOSURE

FORMED STEEL BACK  
 PAINTED  GALVANIZED

NON ROT BACK

**GENERAL INFORMATION**

\_\_\_\_\_ "K" DOOR WIDTH  
 \_\_\_\_\_ "L" DOOR HEIGHT  
 \_\_\_\_\_ "M" DOCK HEIGHT  
 \_\_\_\_\_ "N" DOCK BUMPER/LEDGE COMBINED PROJECTION

DRIVE APPROACH:  LEVEL  
 DECLINED  
 INCLINED

FB- \_\_\_\_\_ QUANTITY \_\_\_\_\_ SHEET \_\_\_\_\_ OF \_\_\_\_\_

JOB \_\_\_\_\_  
 LOCATION \_\_\_\_\_  
 CONTRACTOR \_\_\_\_\_  
 ARCHITECT \_\_\_\_\_  
 APPROVED BY \_\_\_\_\_  
 Signature \_\_\_\_\_

FAIRBORN