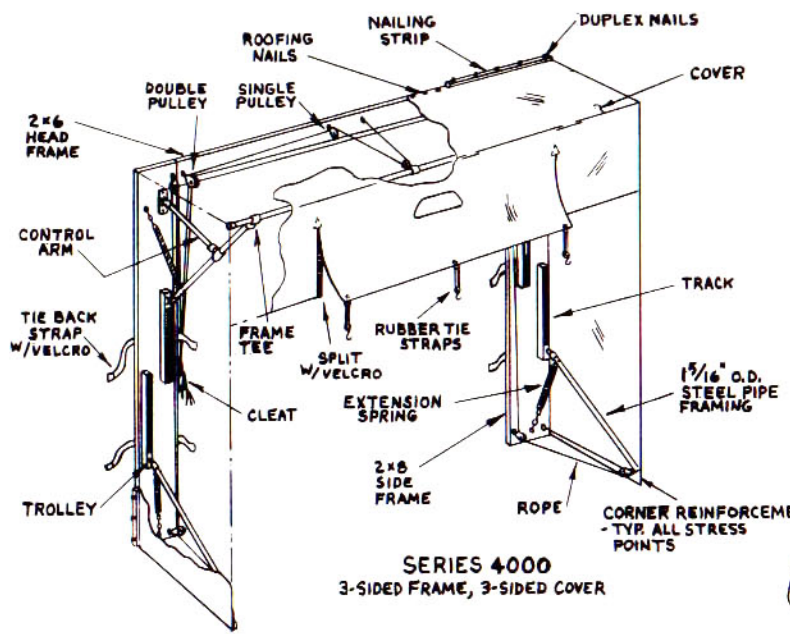
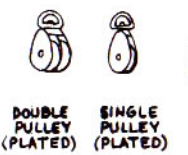
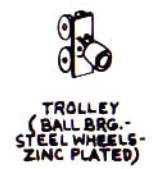


**SERIES-4000
RAIL SHELTER**

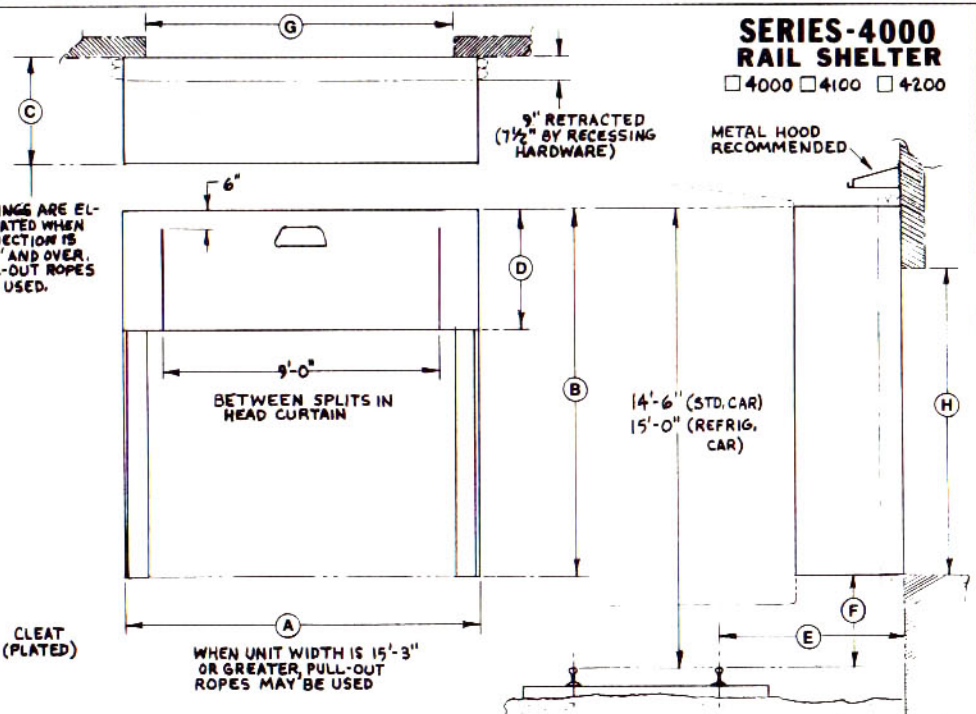
4000 4100 4200



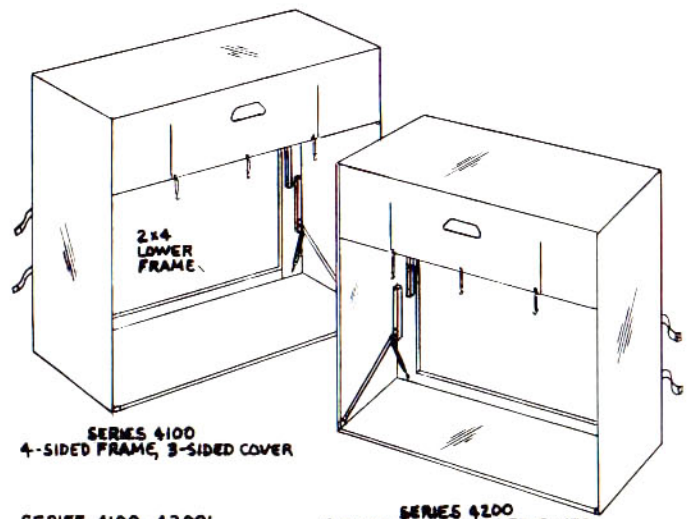
SERIES 4000
3-SIDED FRAME, 3-SIDED COVER



SPRINGS ARE ELIMINATED WHEN PROJECTION IS 6'-1" AND OVER. PULL-OUT ROPES ARE USED.



WHEN UNIT WIDTH IS 15'-3" OR GREATER, PULL-OUT ROPES MAY BE USED



SERIES 4100-4200:
RECOMMEND BOTTOM TO BE 1'-0" BELOW DOCK LEVEL

GENERAL INFORMATION	UNIT DATA	OPTIONAL EQUIPMENT
_____ "E" DISTANCE BETWEEN CENTER LINE NEAREST RAIL & BUILDING FACE _____ "F" DOCK HEIGHT (FROM TOP OF RAIL) _____ "G" DOOR WIDTH _____ "H" DOOR HEIGHT _____ DISTANCE BETWEEN DOORS _____ CLEARANCE ABOVE DOOR <input type="checkbox"/> PERMANENT RAIL RAMP <input type="checkbox"/> CANTILEVER DOCK _____ HEIGHT _____ PROJ. <input type="checkbox"/> OUTSIDE SLIDING DOCK DOOR	_____ "A" UNIT WIDTH (RECOMMENDED: 6" INCREMENTS) (MUST BE AT LEAST 16" GREATER THAN DOOR OPENING WIDTH) _____ "B" UNIT HEIGHT (RECOMMENDED: 6" INCREMENTS) (MUST BE AT LEAST 12" GREATER THAN PROJECTION) (MUST BE AT LEAST 6" GREATER THAN DOOR OPENING - 4000 SERIES) (MUST BE AT LEAST 18" GREATER THAN DOOR OPENING - 4100 & 4200 SERIES IF MOUNTED 12" BELOW DOCK LEVEL AS RECOMMENDED) _____ "C" UNIT PROJECTION (DETERMINED BY SUBTRACTING 2' FROM DISTANCE BETWEEN CENTER LINE NEAREST RAIL AND BUILDING FACE) _____ "D" HEAD CURTAIN LENGTH (RECOMMENDED: 11'-0" FROM TOP OF RAIL TO BOTTOM OF CURTAIN)	<input type="checkbox"/> FORMED STEEL FRAMING (MINIMUM 14 GAUGE) <input type="checkbox"/> PAINTED <input type="checkbox"/> GALVANIZED <input type="checkbox"/> RECESSED HARDWARE <input type="checkbox"/> PULL ROPE ASSEMBLY - HEAD CURTAIN <input type="checkbox"/> COVERED FOAM FACE (4" x 4") <input type="checkbox"/> NON-ROT WOOD PRESERVATIVE <input type="checkbox"/> BLOW OUT BOTTOM (SERIES 4200 ONLY)
FABRIC TYPE <input type="checkbox"/> 1001 <input type="checkbox"/> 1006 <input type="checkbox"/> 1004 <input type="checkbox"/> 1008 <input type="checkbox"/> 1005		
JOB _____ LOCATION _____ CONTRACTOR _____ ARCHITECT _____ APPROVED BY _____ Signature _____		