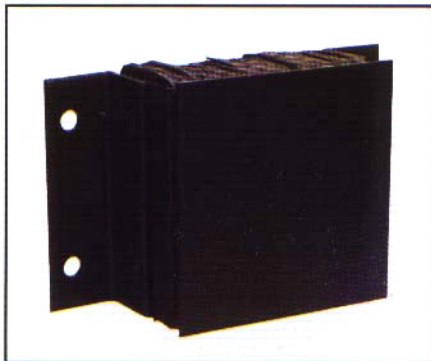
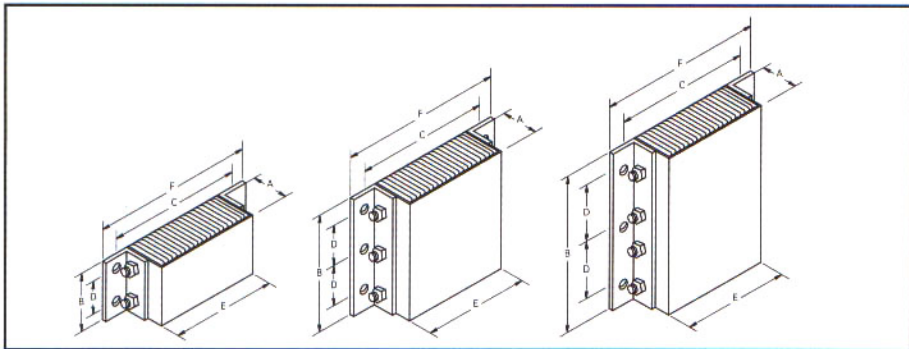


Steel Face Dock Bumpers



SPECIFICATIONS

- Furnish and install Durable Steel Face Dock Bumpers as manufactured by Durable Corporation, Norwalk, Ohio. Model No(s)_____. Resilient rubber material cut to uniform size pads 4 1/2" (114.3 mm) thick with overall projection of 5 1/4" (133.4 mm) (other pad thicknesses available: 6" (152.4 mm), 9" (228.6 mm), 10 1/2" (266.7 mm) and 12" (304.8 mm)]. Punched to receive 3/4" (19.1 mm) supporting rods.
- Bumper to have 3/8" (9.5 mm) steel face plate equal to the rubber surface dimensions. Plate to be welded to two slotted steel support plates which extend back to the 3/4" (19.1 mm) supporting rods. Brackets to be punched with elongated slots to allow steel face to "float" on impact.
- Finish to be flat black enamel only.



B4510 Series

B4520 Series

B4524 Series

Model	Projection x Height x Bolt Hole Centers (Length) (A x B x C) Size	D Vertical Bolt Hole Centers	E Rubber Length	F Overall Length	Wt. lbs.
B4510-14-SF	5 1/4"x10"x14" (133.4mmx254mmx355.8mm)	6" (152.4mm)	10" (254mm)	16" (406.4mm)	48 (21.77kg)
B4510-18-SF	5 1/4"x10"x18" (133.4mmx254mmx457.2mm)	6" (152.4mm)	14" (355.6mm)	20" (508mm)	58 (26.31kg)
B4510-24-SF	5 1/4"x10"x24" (133.4mmx254mmx609.6mm)	6" (152.4mm)	20" (508mm)	26" (660.4mm)	73 (33.11kg)
B4520-11-SF	5 1/4"x20"x11" (133.4mmx508mmx279.4mm)	7" (177.8mm)	7" (177.8mm)	13" (330.2mm)	73 (33.11kg)
B4524-11-SF	5 1/4"x24"x11" (133.4mmx609.6mmx279.4mm)	9" (228.6mm)	7" (177.8mm)	13" (330.2mm)	88 (39.92kg)

NOTE: Available in 6" thick pads with an overall 6 3/4" projection. Other standard sizes available.