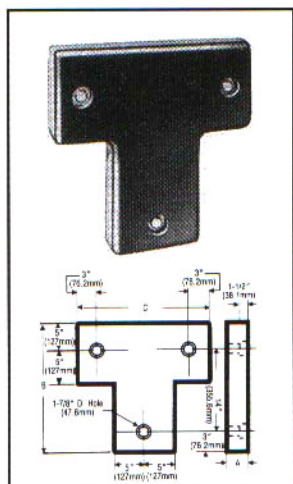
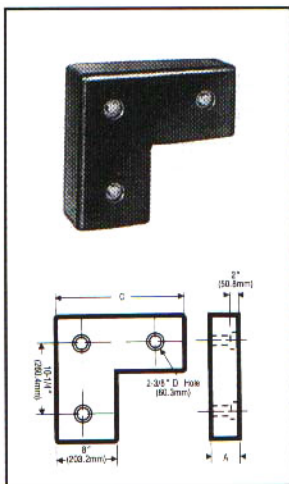


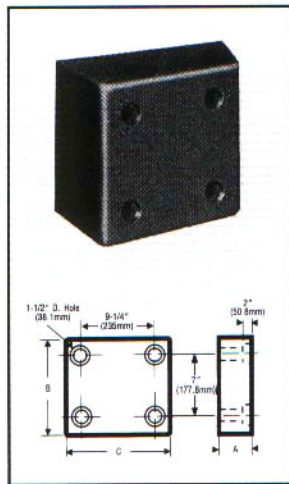
Molded Dock Bumpers



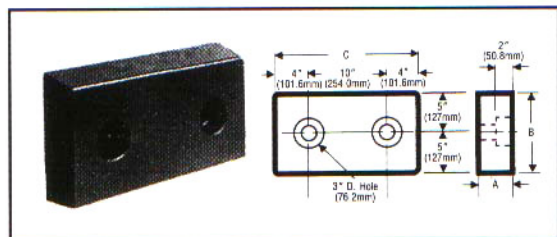
Model T



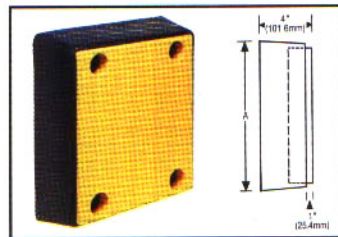
Model L



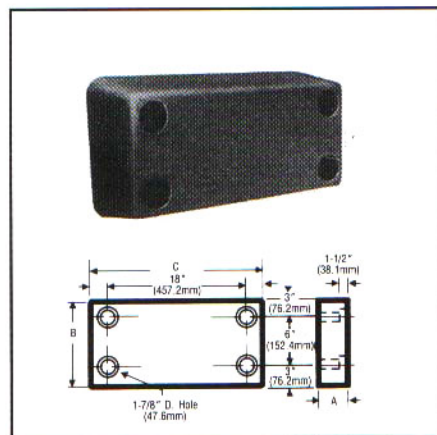
Model R



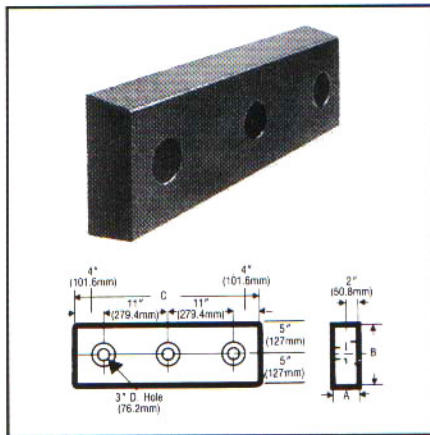
Model M-18



Spectra Shield



Model B Series



Model M-30

Model	A Thickness	B Height	C Width	Bolt Size	No. of Bolts	Wt. lbs.
T*	3" (76.2mm)	22" (558.8mm)	22" (558.8mm)	3/4"x4" (19.1mmx101.6mm)	3	30 (13.6kg)
L	4" (101.6mm)	18" (457.2mm)	18" (457.2mm)	3/4"x6" (19.1mmx152.4mm)	3	25 (11.34kg)
R	4" (101.6mm)	12" (304.8mm)	13" (330.2mm)	3/4"x6" (19.1mmx152.4mm)	4	20 (9.07kg)
M-18	4" (101.6mm)	10" (254mm)	18" (457.2mm)	3/4"x6" (19.1mmx152.4mm)	2	22 (9.98kg)
Spectra Shield- SS1213	4" (101.6mm)	13" (330.2mm)	12" (304.8mm)	3/4"x6" (19.1mmx152.4mm)	4	23 (10.43kg)
SS1018	4" (101.6mm)	18" (457.2mm)	10" (254mm)	3/4"x6" (19.1mmx152.4mm)	4	26 (11.79kg)
B*	3" (76.2mm)	12" (304.8mm)	24" (609.6mm)	3/4"x4" (19.1mmx101.6mm)	4	25 (11.34kg)
BB*	4" (101.6mm)	12" (304.8mm)	24" (609.6mm)	3/4"x6" (19.1mmx152.4mm)	4	34 (15.42kg)
BBB*	6" (152.4mm)	12" (304.8mm)	24" (609.6mm)	3/4"x6" (19.1mmx152.4mm)	4	57 (25.86kg)
M-30	4" (101.6mm)	10" (254mm)	30" (762mm)	3/4"x6" (19.1mmx152.4mm)	3	38 (17.23kg)

* Products are supplied with red reflectors.